

# THE PERFORMANCE LEADER IN MICROWAVE CONNECTORS



## 0.8 mm (145 GHz)



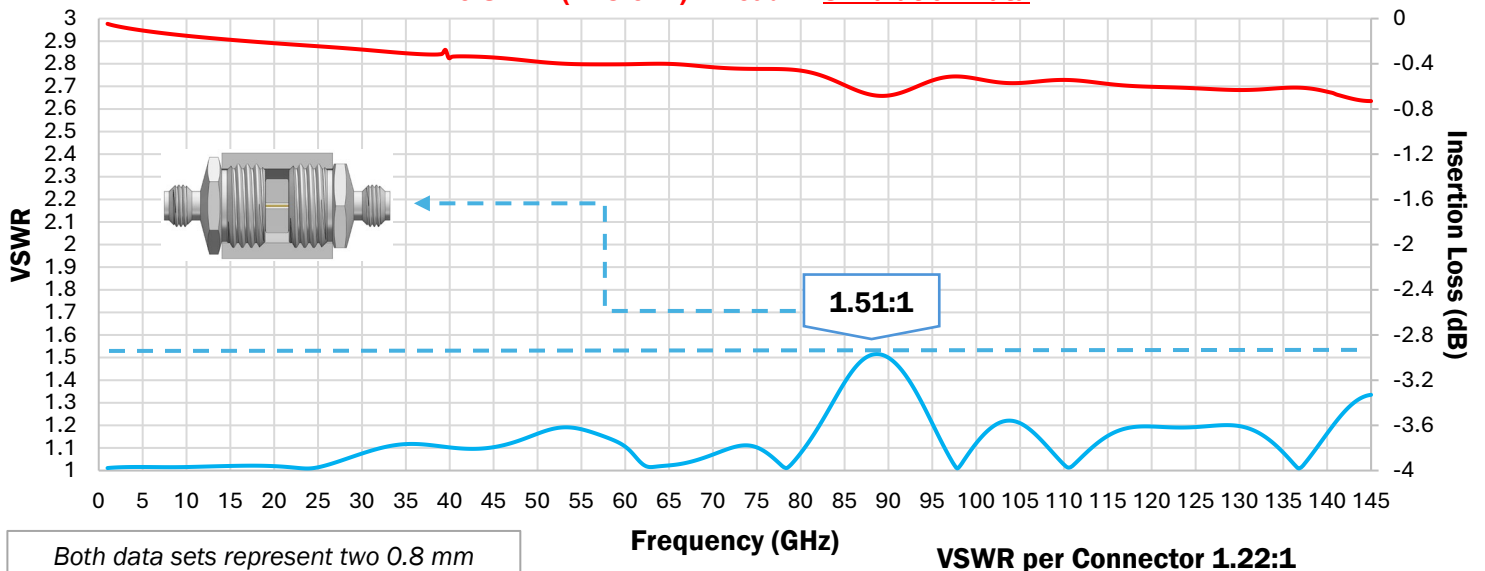
Introducing Southwest Microwave's newest high-performance connector. The 0.8 mm is an innovative and advanced thread-in connector that maintains optimal signal integrity while providing the industry's lowest VSWR, RF leakage and insertion loss.

### FEATURES

- Will mate with IEEE 287 & IEC 61169-64 standards
- DC to 145 GHz
- Field replaceable and reusable

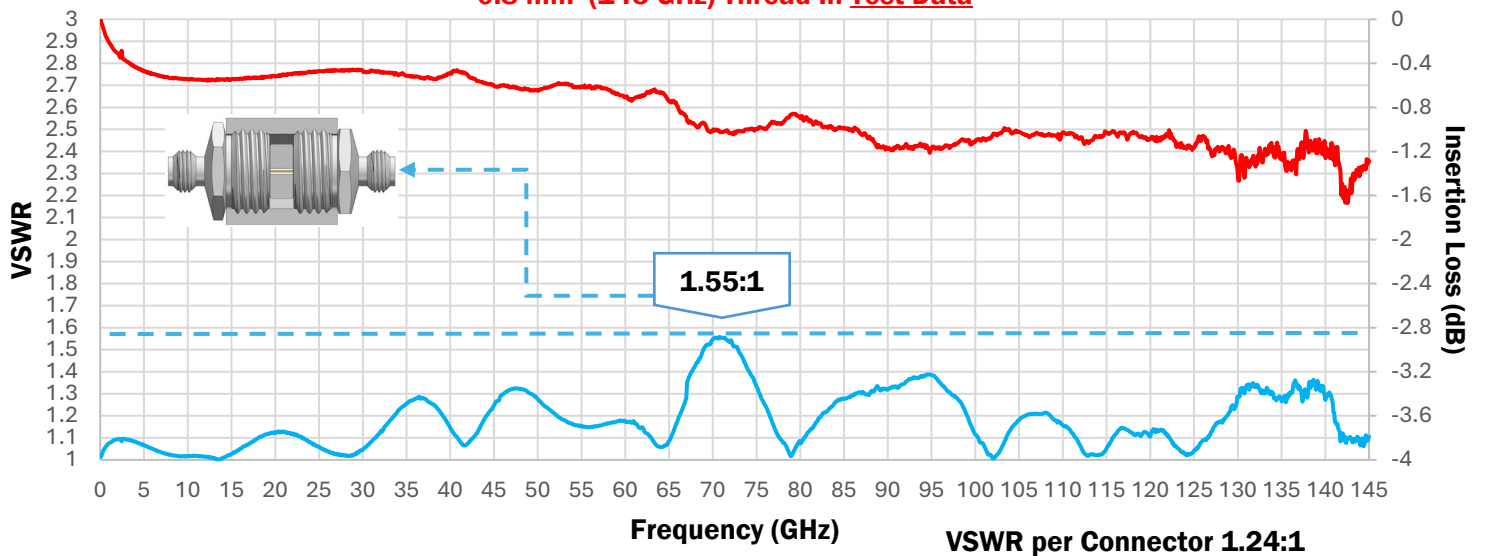
### ELECTRICAL PERFORMANCE

#### 0.8 mm (145 GHz) Thread-In Simulation Data



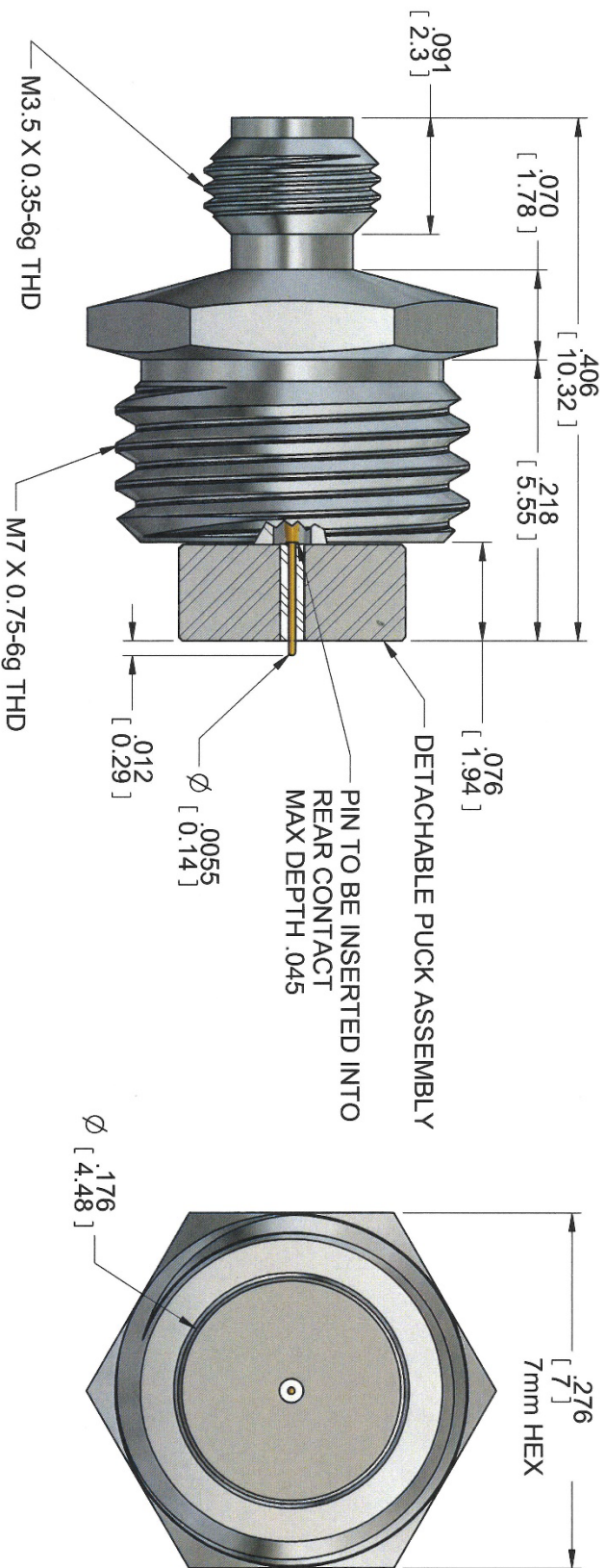
Both data sets represent two 0.8 mm connectors under test, using Pin & Teflon

#### 0.8 mm (145 GHz) Thread-In Test Data

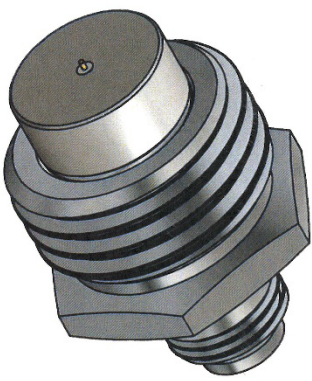


MODEL No.:  
**MODEL TBD**

NOTE: Information herein is believed by Southwest Microwave, Inc. to be accurate. However Southwest Microwave assumes no responsibility for any omissions or errors or inaccuracies for its use or for any infringements of patents or other rights of third parties that may result from its use. Data is intended for informational purposes only and does not constitute a contract of sale or any express or implied warranty, including any warranty of merchant ability or fitness for a particular purpose.



HOUSING:	STEEL, CRES ALLOY UNS 30300 PER ASTM A582 PASSIVATED PER ASTM A967	PUCK HOUSING:	STAINLESS STEEL ALLOY 17-4, UNS S17400
CONTACT:	BeCu UNS C17300 PER ASTM B196 GOLD PLATE PER ASTM B488	PIN:	BeCu UNS C17300 PER ASTM B196 GOLD PLATE PER ASTM B488
CAPTURE BEAD:	KEL-F PER ASTM-D-1430	DIELECTRIC:	VIRGIN PTFE FLUOROCARBON PER ASTM D1710, TYPE 1 GRADE 1, CLASS B
ITEM	MATERIAL & FINISH	ITEM	MATERIAL & FINISH
<b>0.8mm CONNECTOR</b>			
<b>PUCK ASSEMBLY</b>			



1. ALL DIMENSIONS ARE IN INCHES. ALL ANGLES ARE IN DEGREES. DIMENSIONS SHOWN IN BRACKETS [XXX] ARE IN MILLIMETERS.  
NOTES: UNLESS OTHERWISE SPECIFIED.

REV X0	RELEASE	APPRVD <i>[Signature]</i>	DATE: 3/7/2024	TITLE	MODEL TBD
Southwest Microwave, Inc. 9055 South Mckemy Street Tempe, Arizona 85284-2946 Telephone (480) 783-0201 Fax (480) 783-0360				DRN BY: CS	DATE: 03/07/24
SOUTHWEST MICROWAVE				SCALE: 1:1	DWG. NO. 79DD70415
				SHEET: 1 OF 1	REV. X0